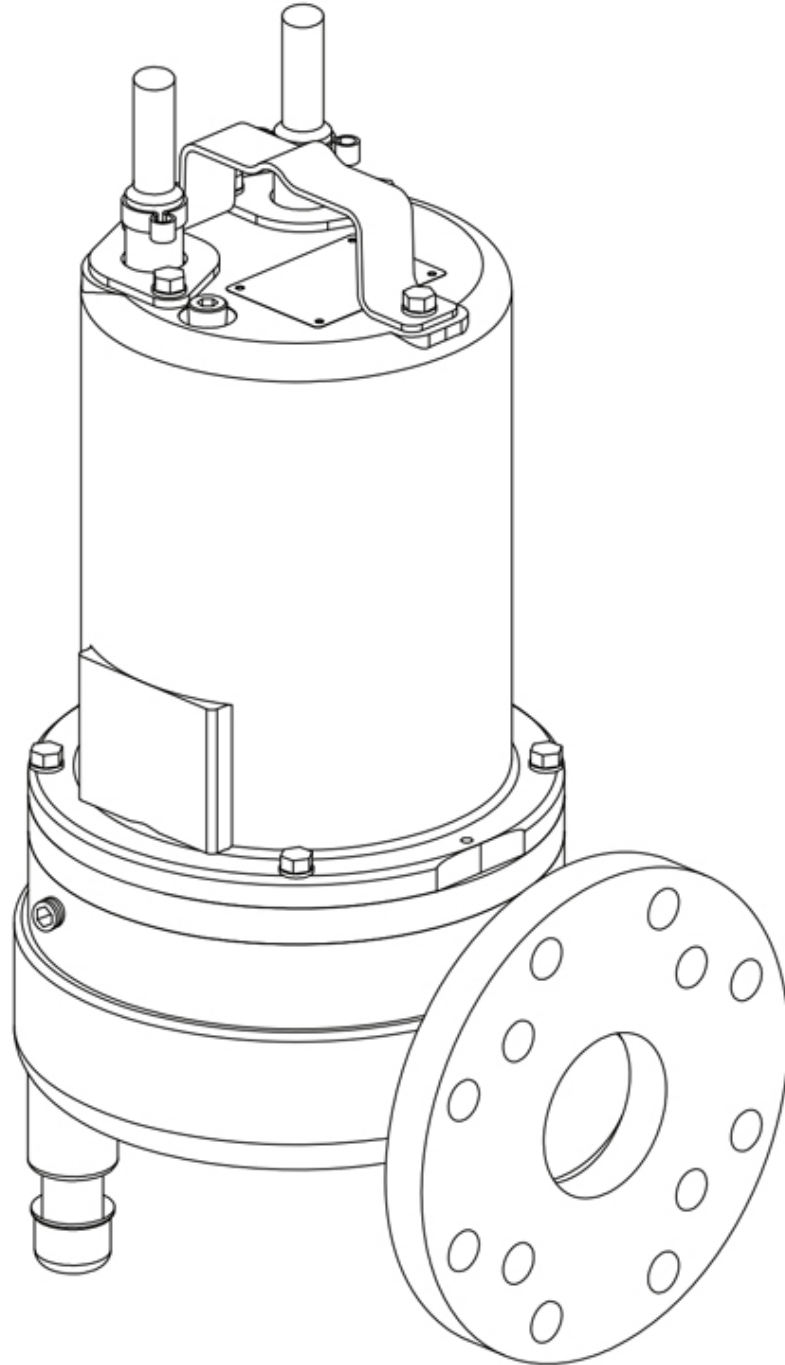


4SE-DS – 1.9 HP

2" Spherical Solids Handling



BARNES®

Specifications

DISCHARGE: 3' & 4" 125lb., horizontal flange

SPEED: 1750 RPM (Nominal)

IMPELLER:

- **Design:** 2 Vane, open with pump out vanes on back side, dynamically balanced, ISO G6.3
- **Material:** .Cast iron ASTM A-48, class 30

CORD ENTRY: 30 ft. (9.1m) Quick disconnect cord with plug on 120Volt, custom molded for sealing and strain relief

MOTOR:

- **Design:** NEMA L- single phase, NEMA B - three phase torque curve, oil filled, squirrel cage induction
- **Insulation:** Class B/ Class F on selected models

SEAL:

- **Design:** Tandem mechanical, oil filled reservoir
- **Material:** Carbon/Ceramic/Buna-N
- **Hardware:** 300 Series stainless

LIQUID TEMPERATURE: 104°F (40°C) Continuous

VOLUTE: Cast iron ASTM A-48, class 30

MOTOR HOUSING Cast iron ASTM A-48, class 30

SEAL PLATE: Cast iron ASTM A-48, class 30

SHAFT: 416 Stainless steel

SQUARE RINGS: Buna-N

HARDWARE: 300 Series stainless steel

PAINT: Air dry enamel (epoxy optional)

BEARINGS:

Upper Bearing:

- Design: Single row, ball, oil lubricated
- Load: Radial

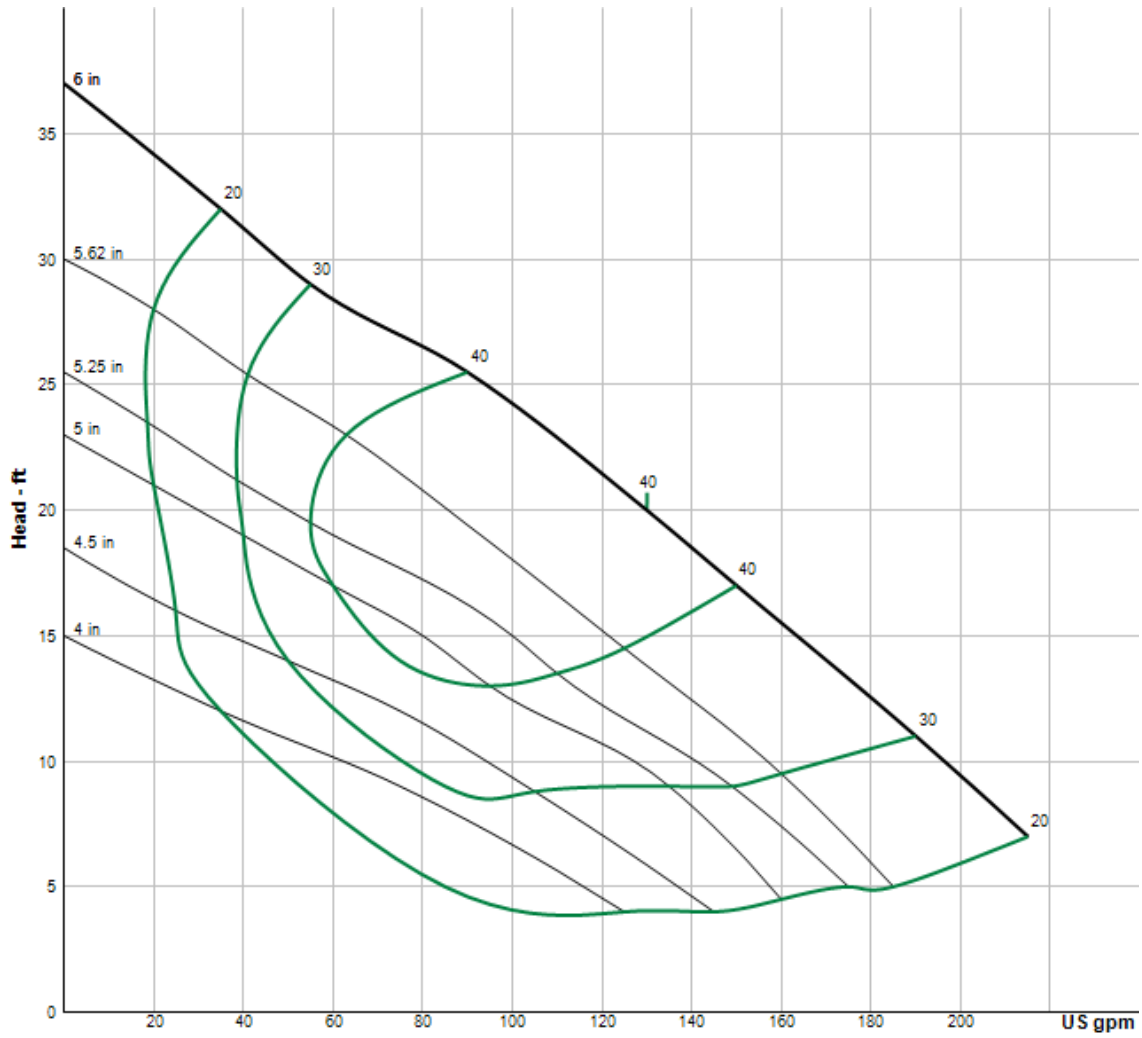
Lower Bearing:

- Design: Single row, ball, oil lubricated
- Load: Radial

SINGLE PHASE: Permanent split capacitor (PSC) includes overload protection in motor

THREE PHASE: 200-240/480 is tri voltage motor. 600V Requires overload protection to be included in control panel

Curves



Pump HP	Impeller Dia in. (mm.)
0.9	5.25 (133)
1.4	5.62 (143)
1.9	6.00 (152)

Model Information

MODEL NO.	4SE1974DS	4SE1994DS	4SE1944DS	4SE1954DS
PART NO.	105036	105037	105038	105039
HP	1.9	1.9	1.9	1.9
VOLT/PH	200-240/1	200-240/3	480/3	600/3
Hz	60	60	60	60
RPM (nom)	1750	1750	1750	1750
NEMA START CODE	A/B	A/B	B	C
INSUL. CLASS	F	F	B	F
FULL LOAD AMPS	8.8/8.3	5.3/5.1	2.5	1.9
LOCKED ROTOR AMPS	21.5/25.8	13.7/15.4	7.7	7.2
CORD SIZE	14/3	14/4	14/4	14/4
CORD TYPE	SOW	SOW	SOW	SOW
CORD O.D INCH (mm)	0.530 (13.5)	0.570 (14.5)	0.570 (14.5)	0.570 (14.5)

Drawing

